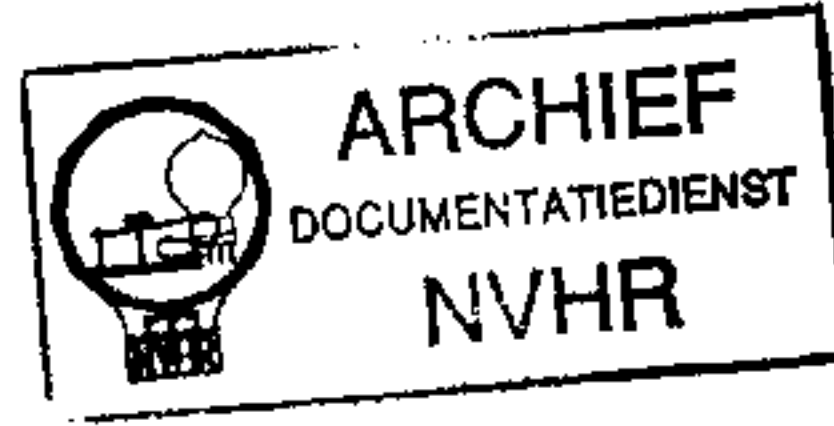
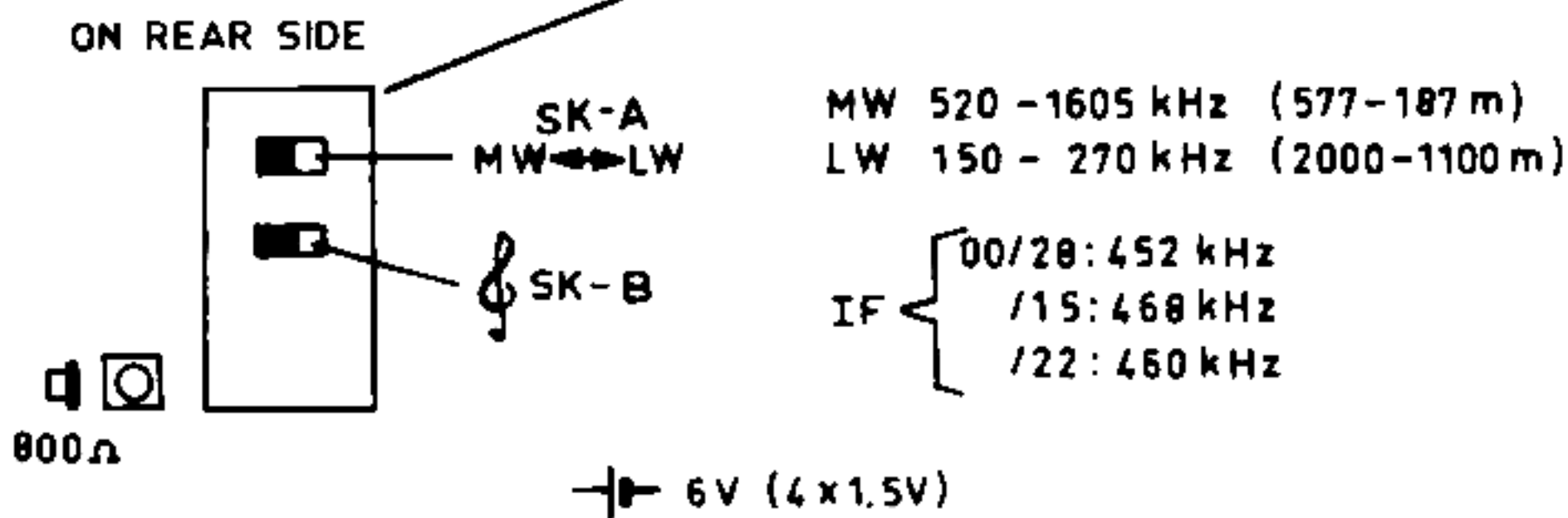
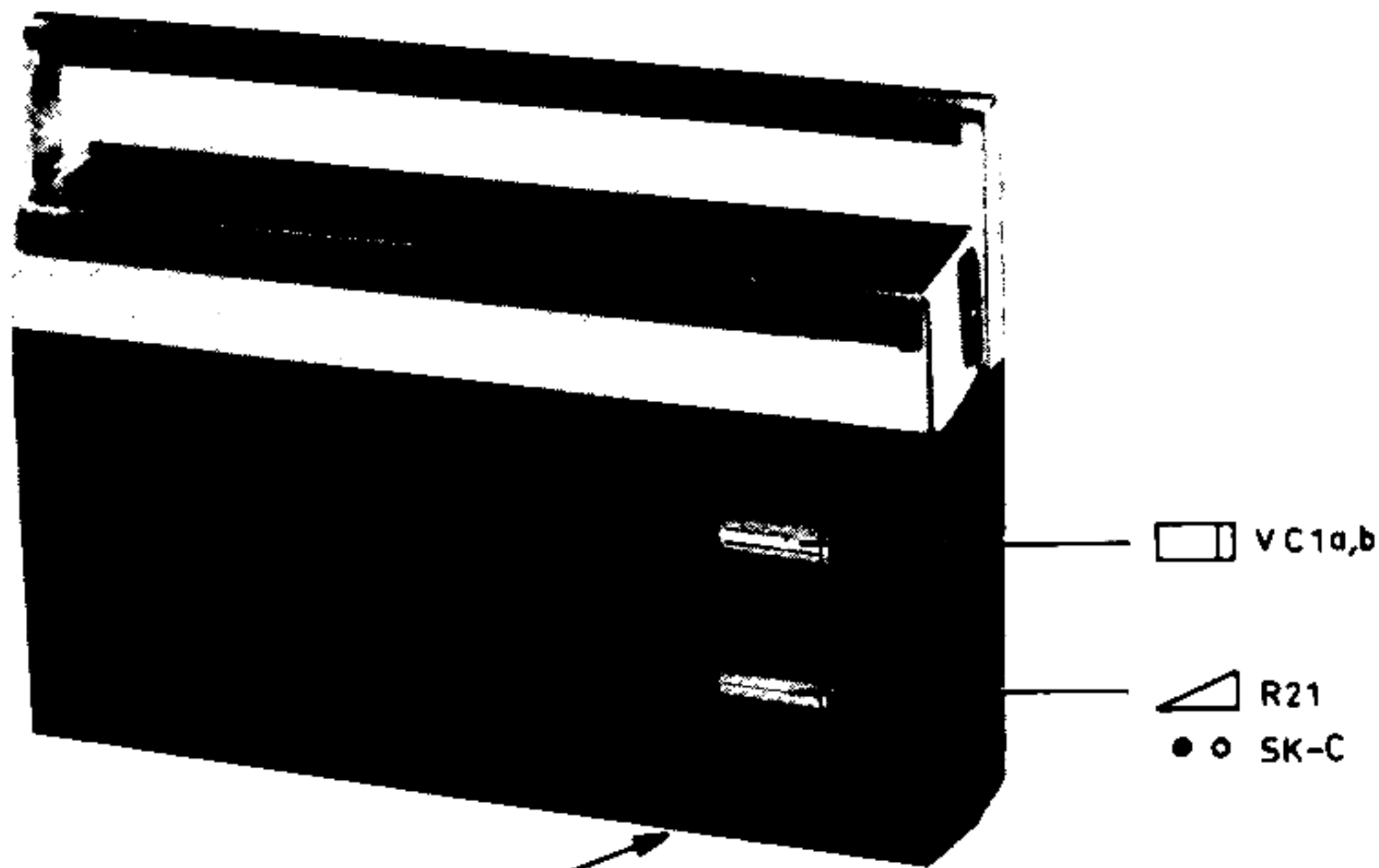


Service  
Service  
Service

Ned. Ver. v. Historie v/d Radio



# Service Manual



5538A

CS51600

Documentation Technique Service Dokumentation Documentazione di Servizio Huolto-Ohje Manual de Servicio Manual de Servicio

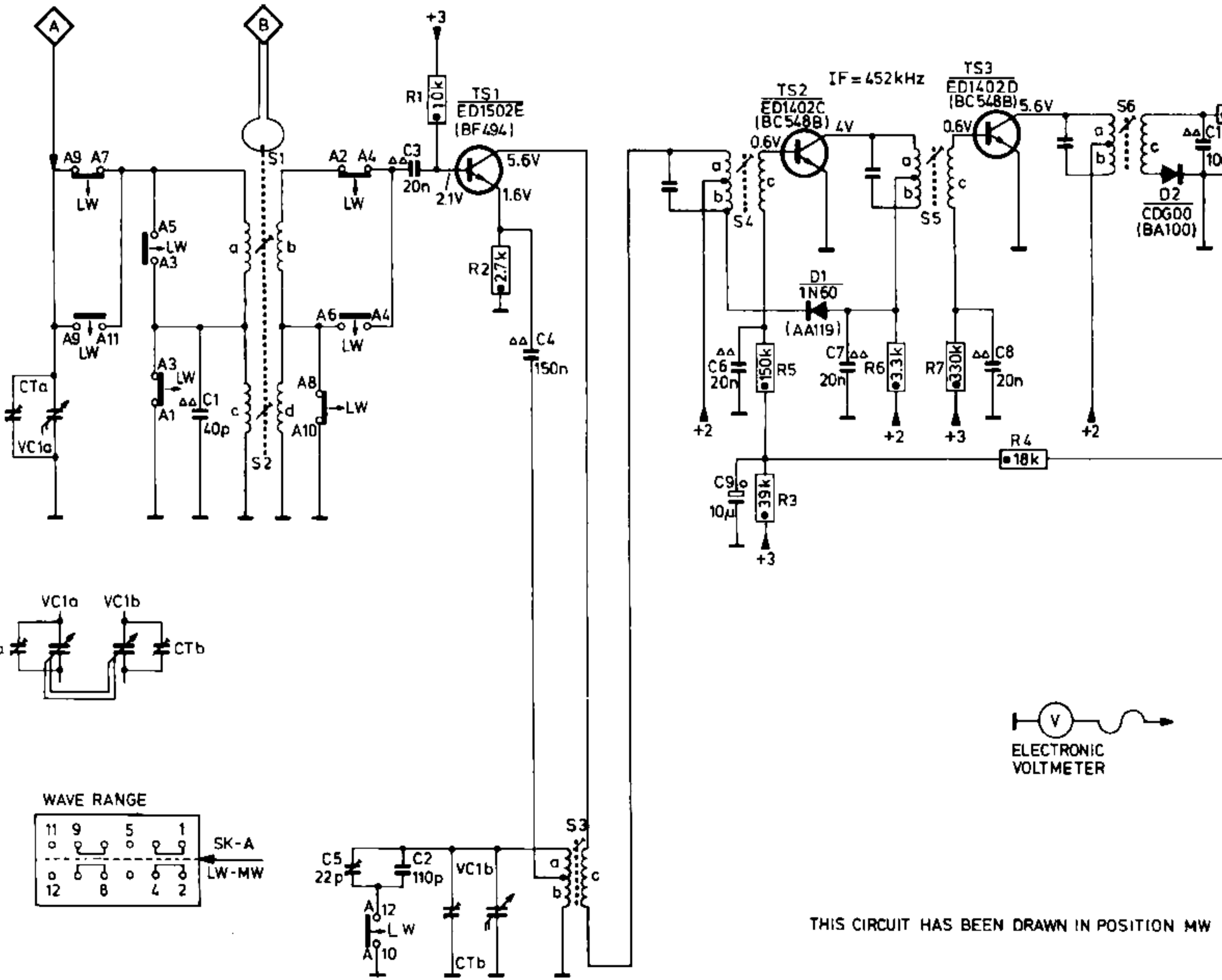


Subject to modification  
4822 725 11372  
Printed in The Netherlands

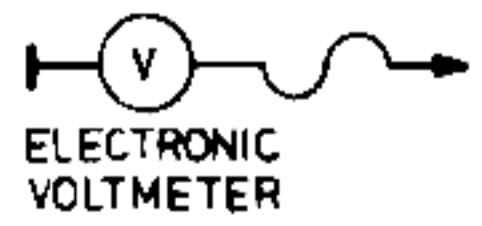
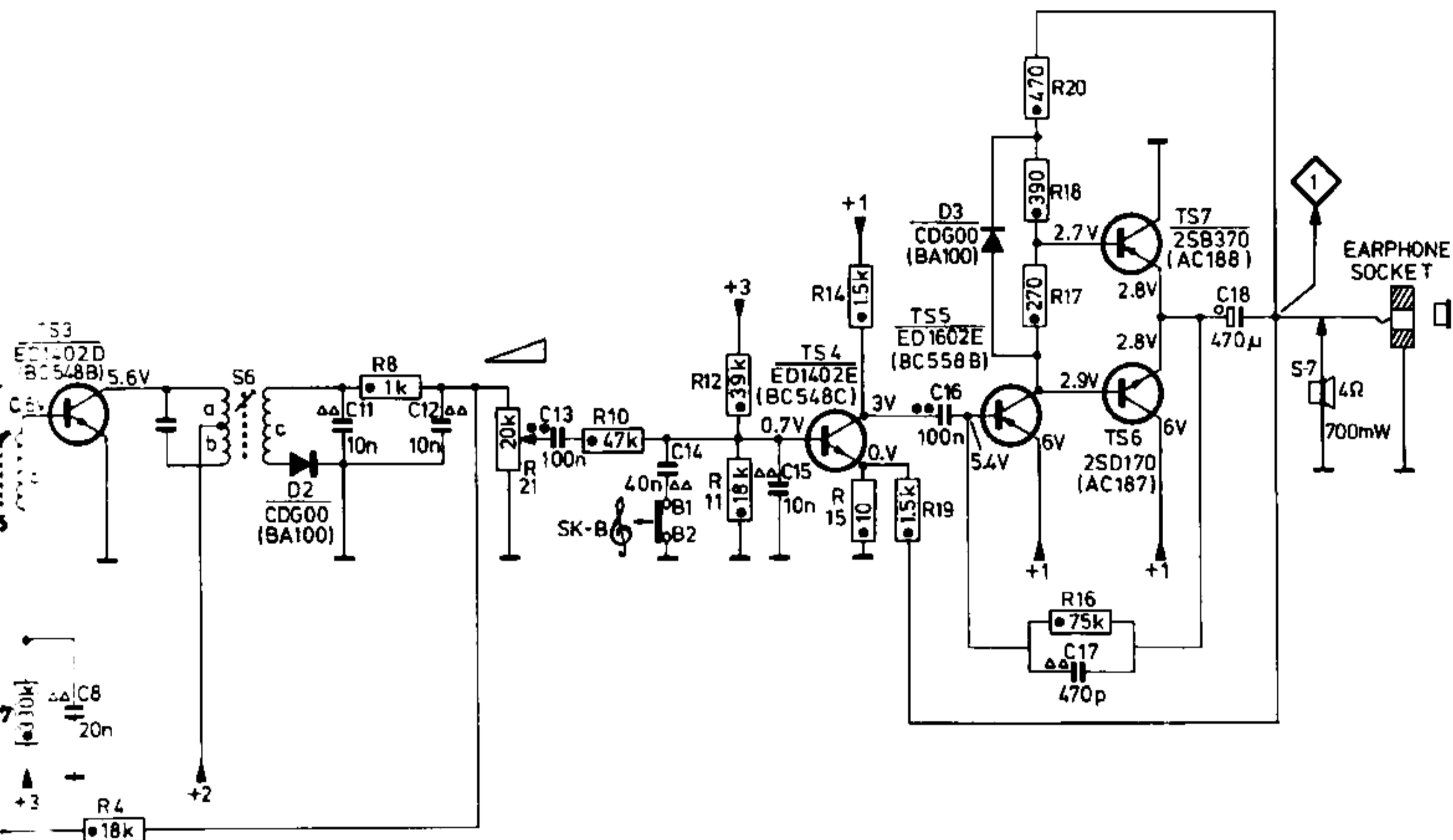
**PHILIPS**



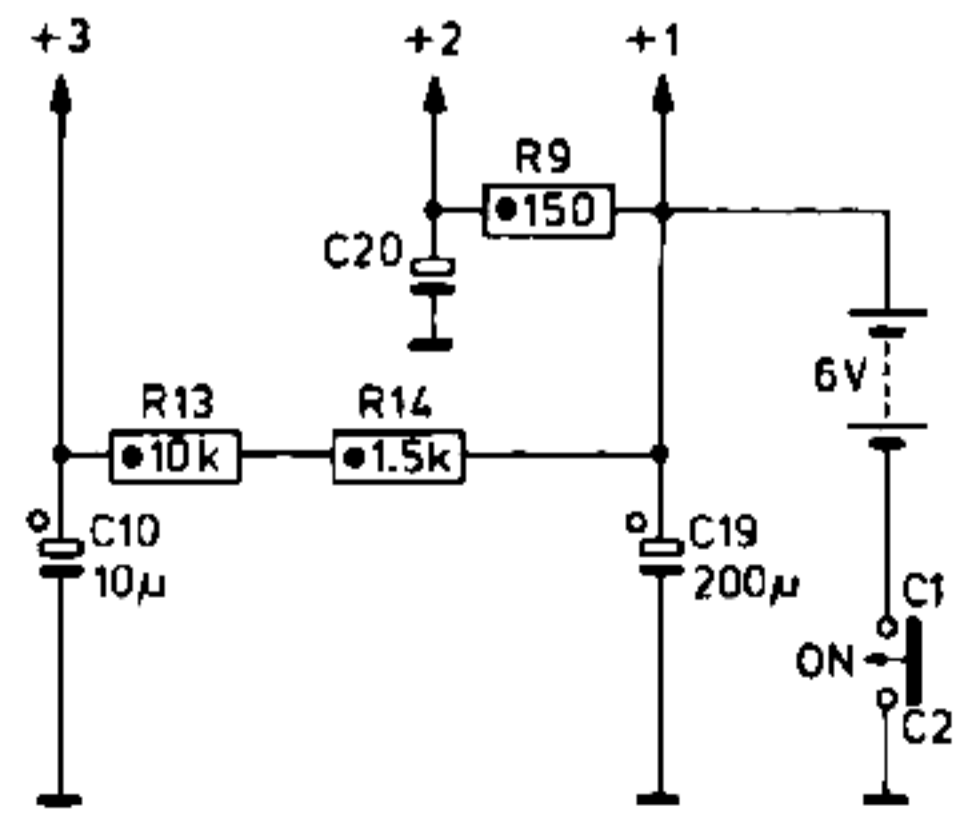
MISC		S2	S1		TS1	S3		S4	TS2	D1		S5	TS3		S6	D2
C	VC1a	1		9	2	3	VC1b	4	a	6	9	7	a	8	a	11
R					1		2			5	3		6	7		4



S3	S6 D2	TS4	D3 TS5	TS6 TS7	S7
8	a	11	12	13	14
15	16	10	17	20	18 19
4	8	21	10	11 12	15 19
			20 16=18 13	14	9

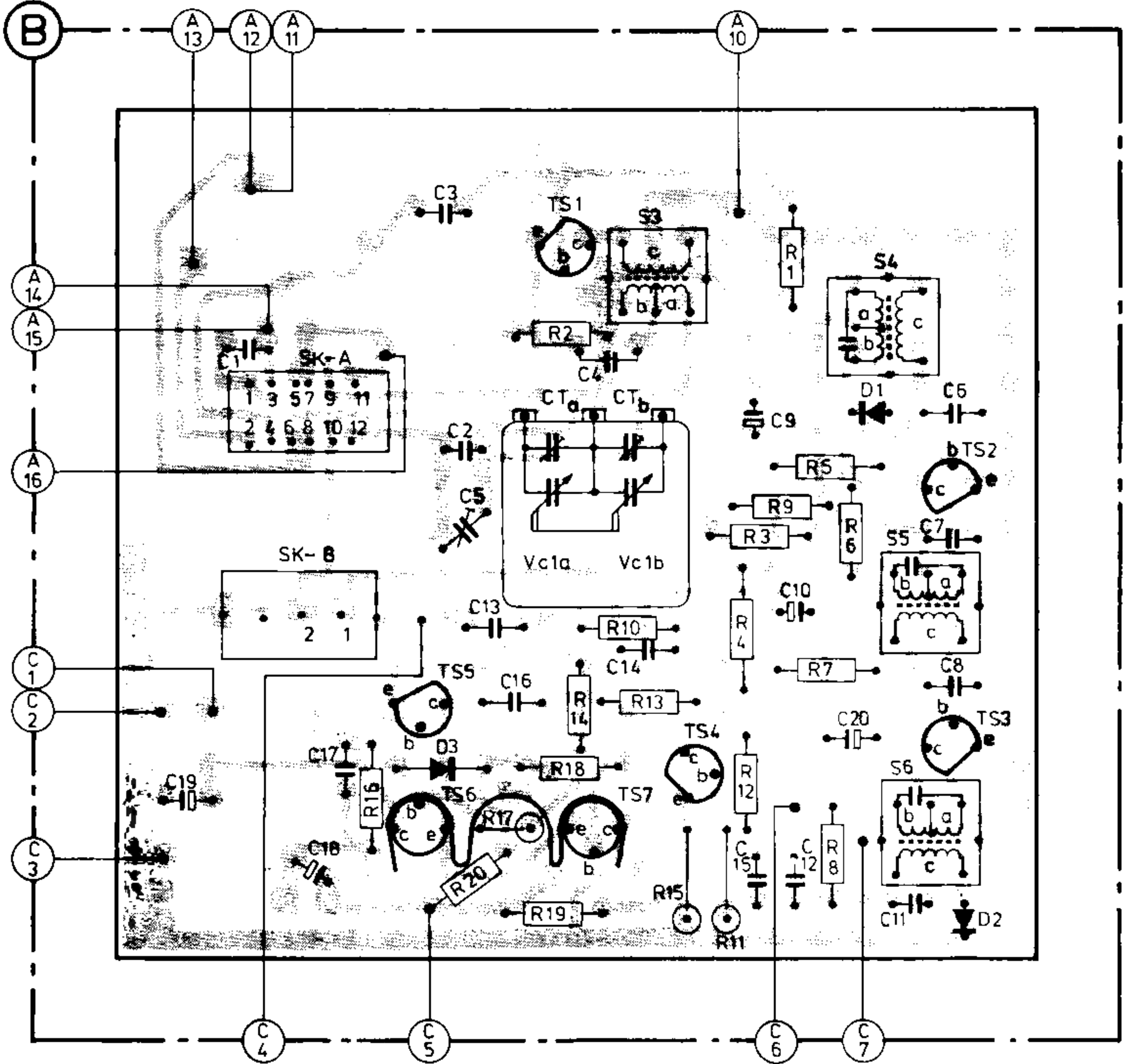
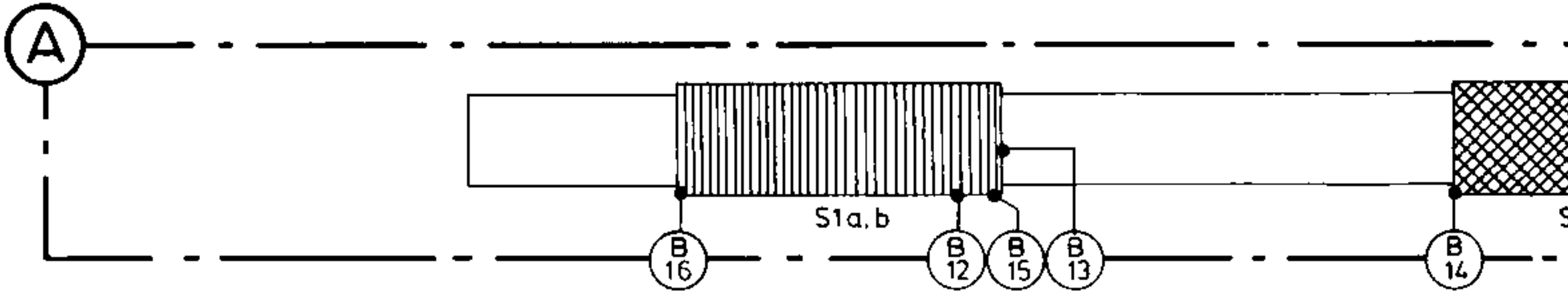


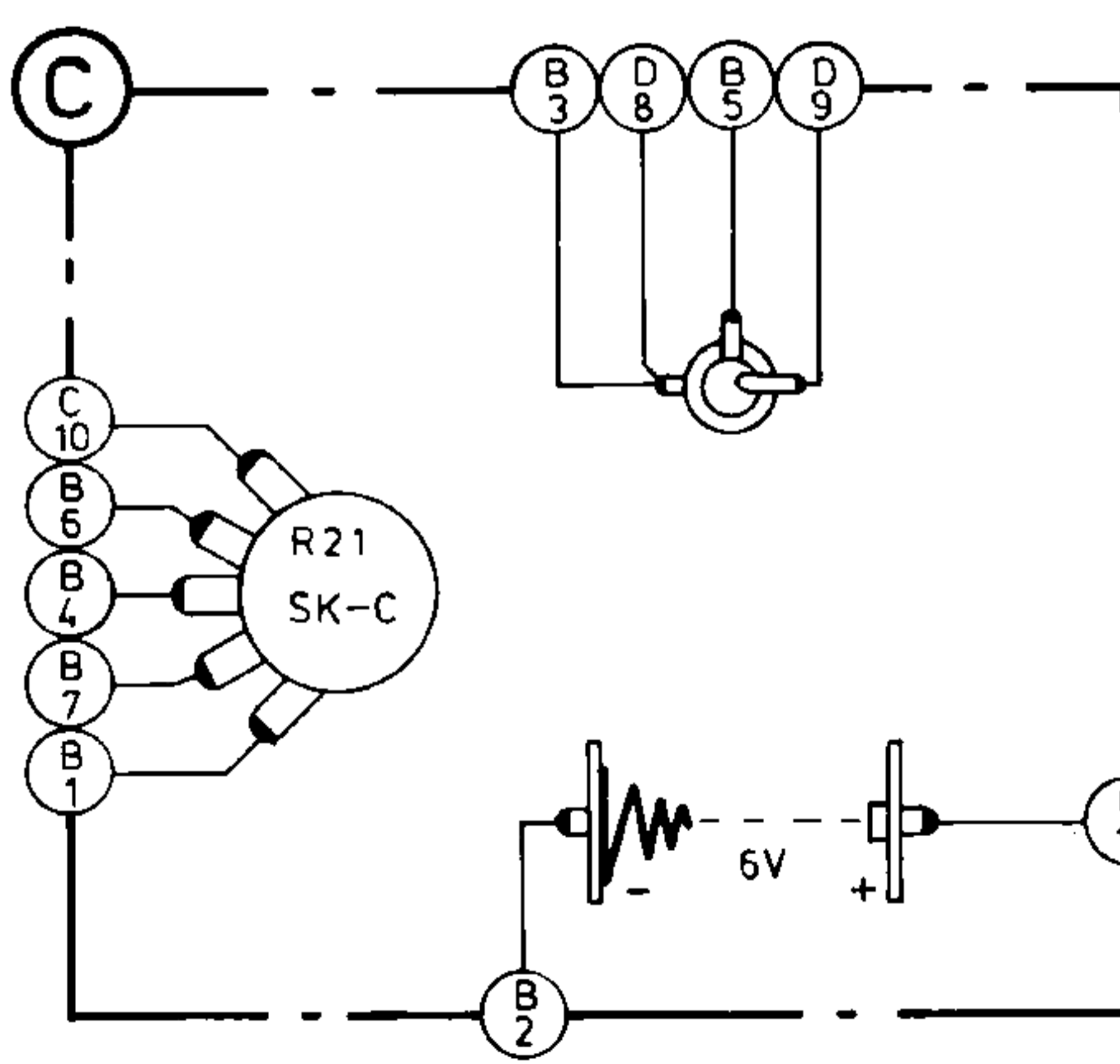
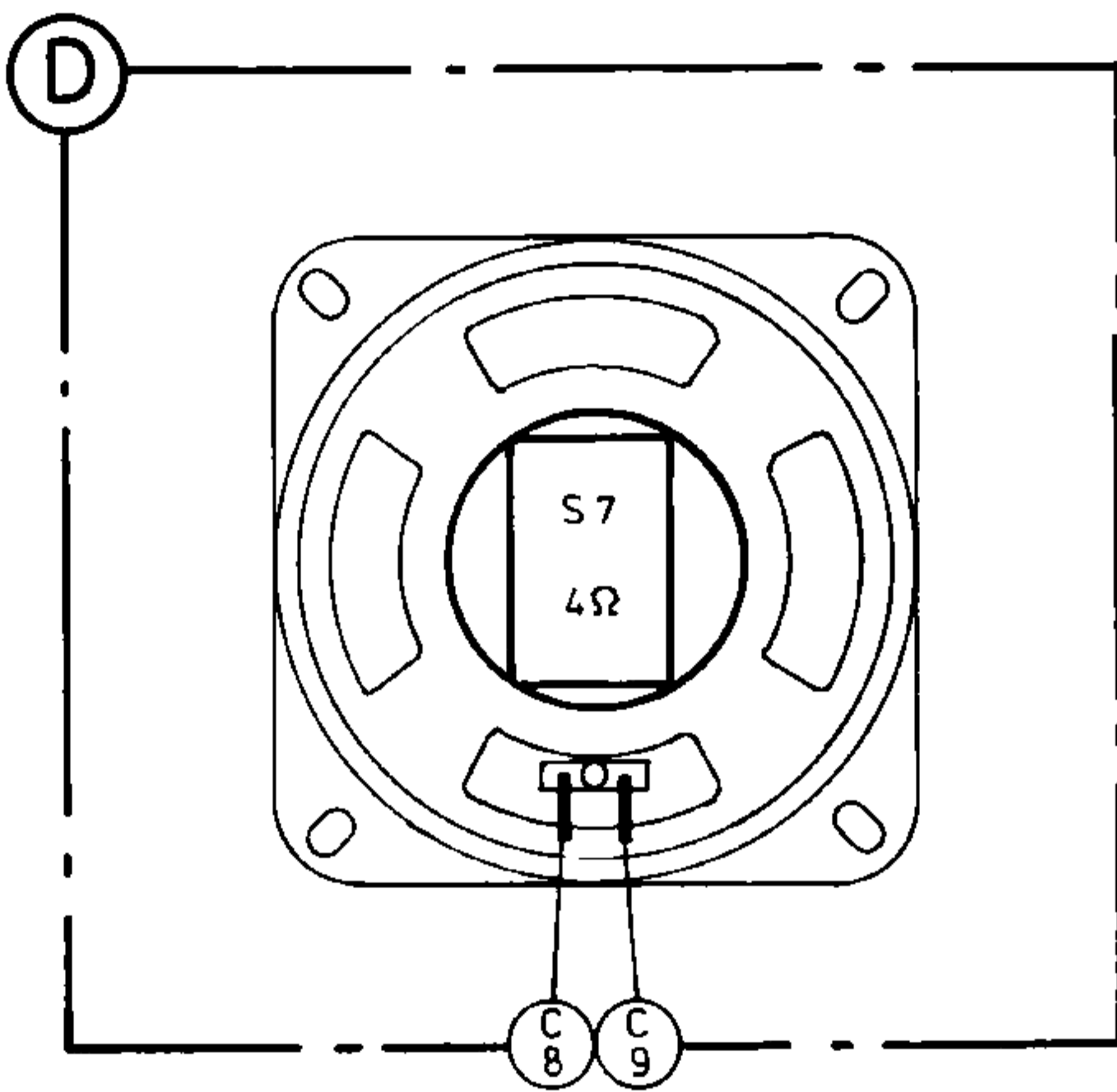
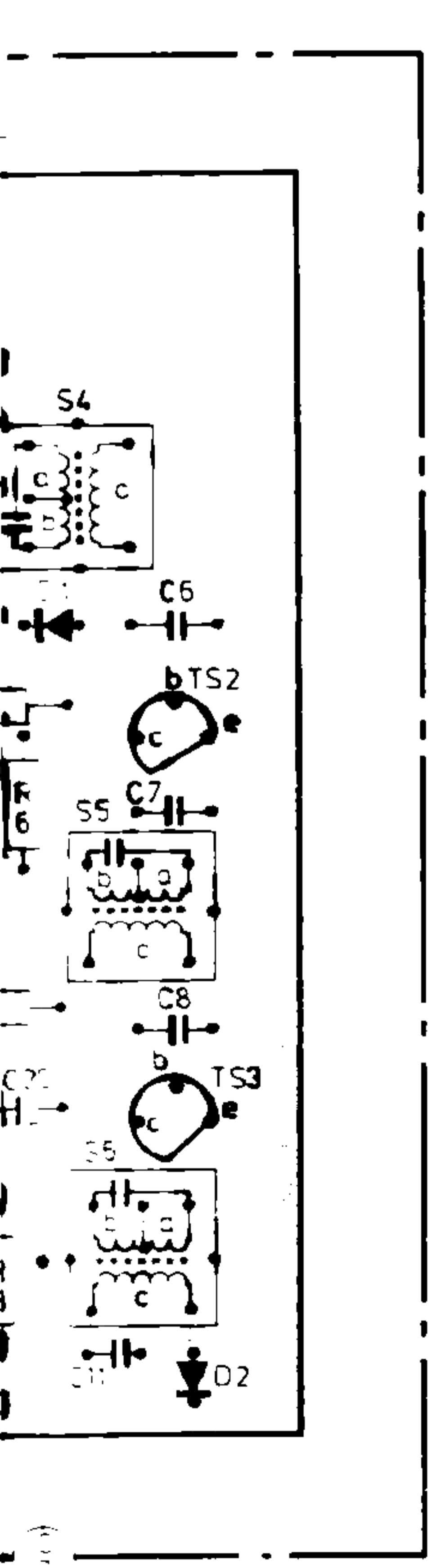
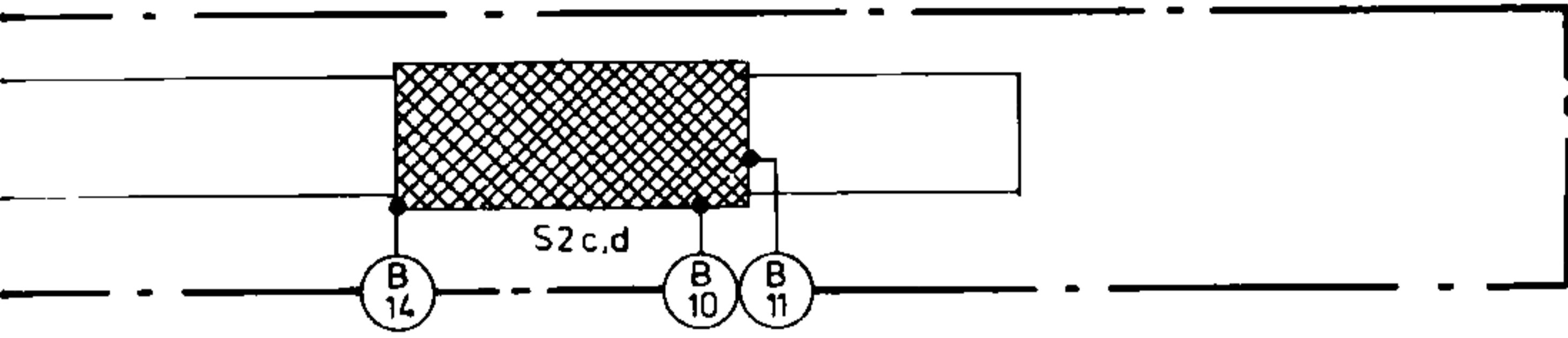
- CARBON RESISTOR E24 SERIES 0.25W 5%
- PLATE CERAMIC CAPACITOR
- FLAT FOIL POLYESTER CAPACITOR
- MINIATURE ELECTROLYTIC CAPACITOR



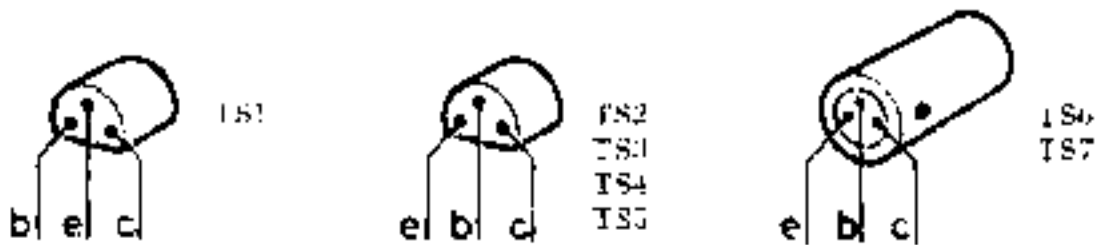
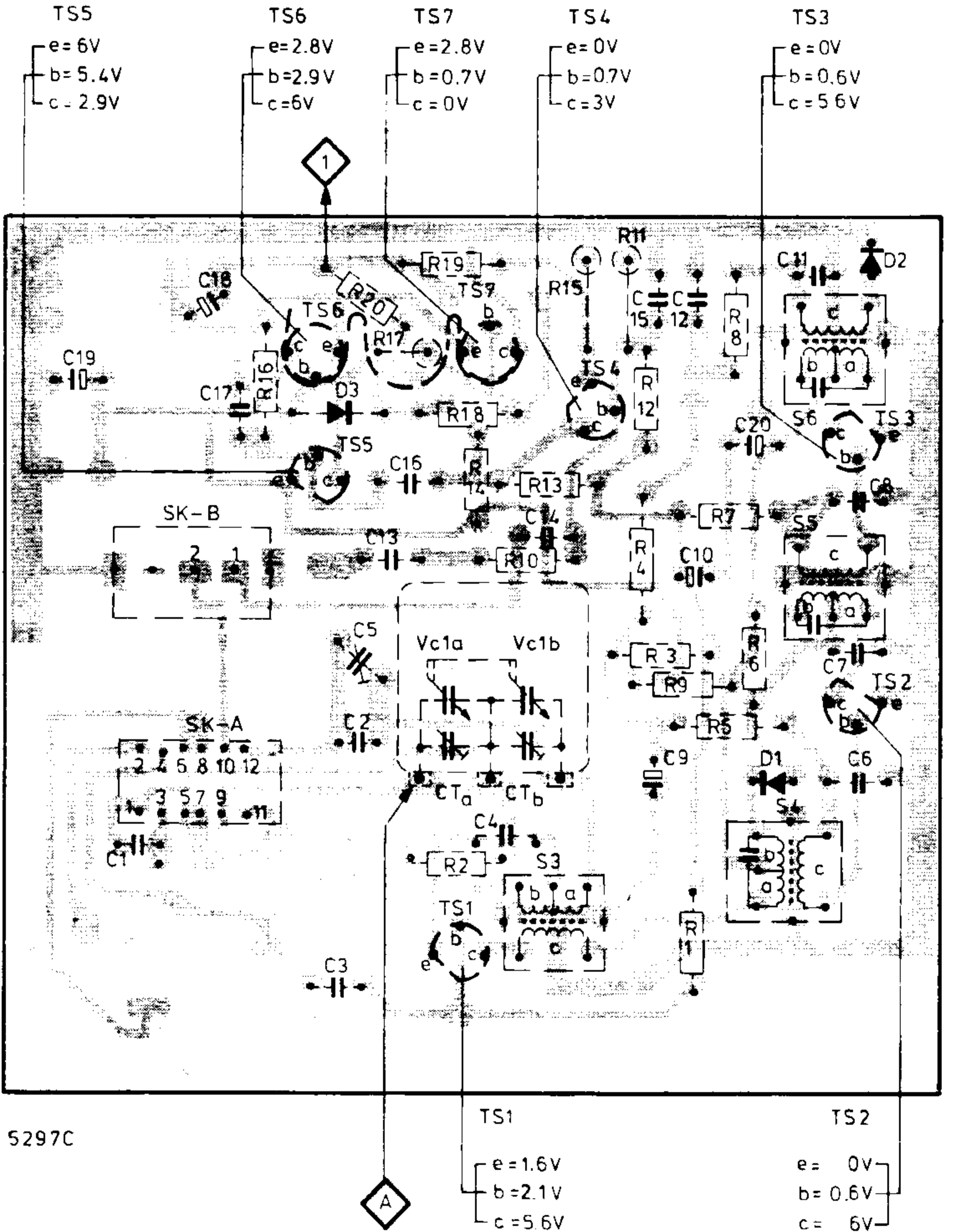
AS BEEN DRAWN IN POSITION MW

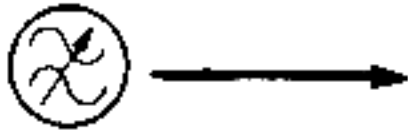

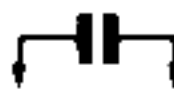

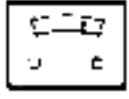


MISC	SK-A,B	TS5,6 D3	Vc1a CTa TS1	S1 CTb S3	TS7,4Vc1b	D1 S4-6	TS2,3 D2
C	19 1	18 17	3 2 5 13 16	4 14	15	9 10 12 20 11 6-8	
R		16	20 17 19	2 18 14 10 13 15 11 4 12 3 1 5-9			

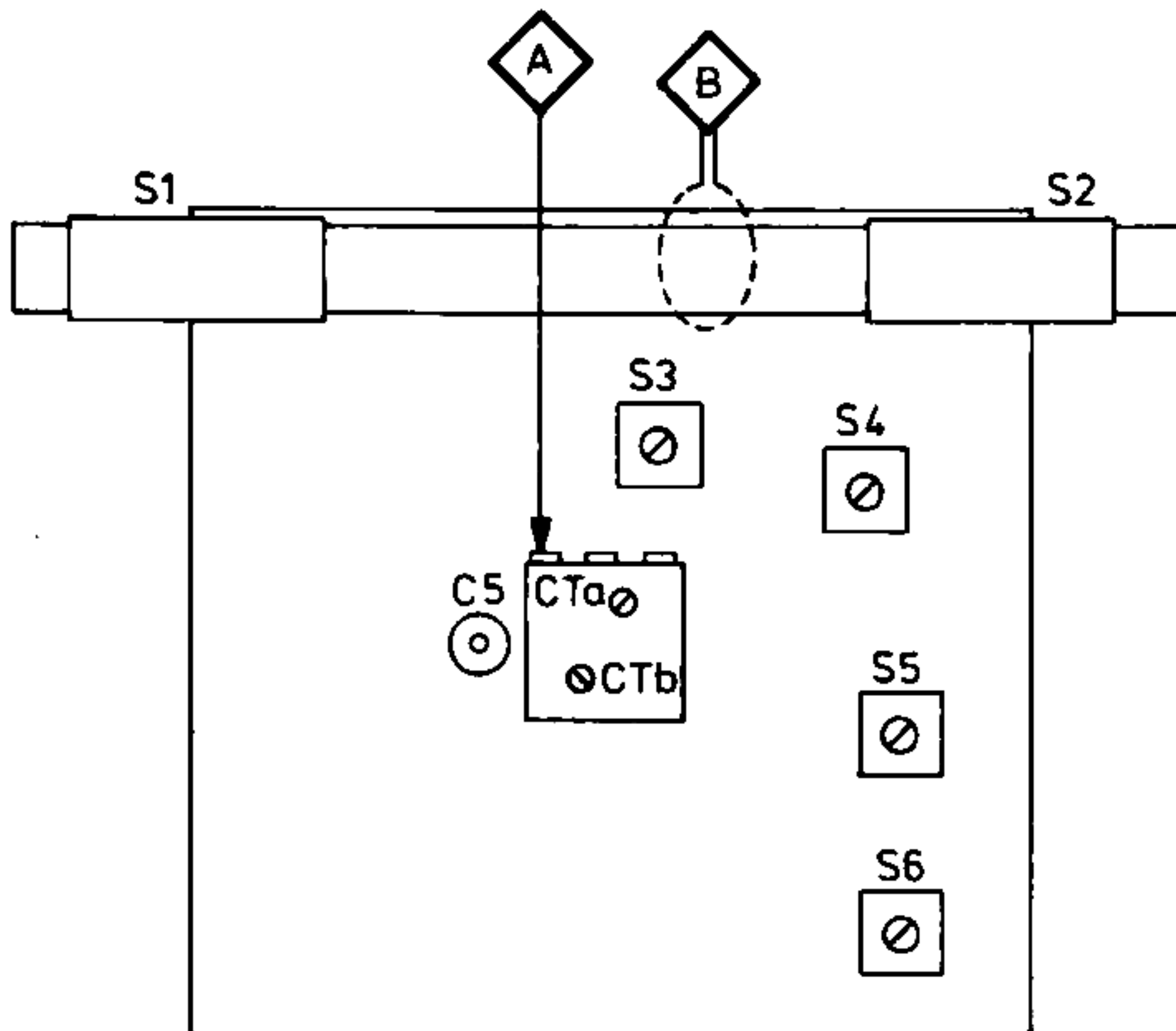




MISC.	SK-A,B	TSS,6 D3	Vc1a CTa TS1	CTb S3 TS7,4	Vc1b	D1 S4-6	TS2,3	D2
C	19 1	18 17	3 2 5 13 16	4 14	15	9 10 12 20 11	6-8	
R		16	20 17 19 2	18 14 10 13 15 11	4 12 3 1	5-9		

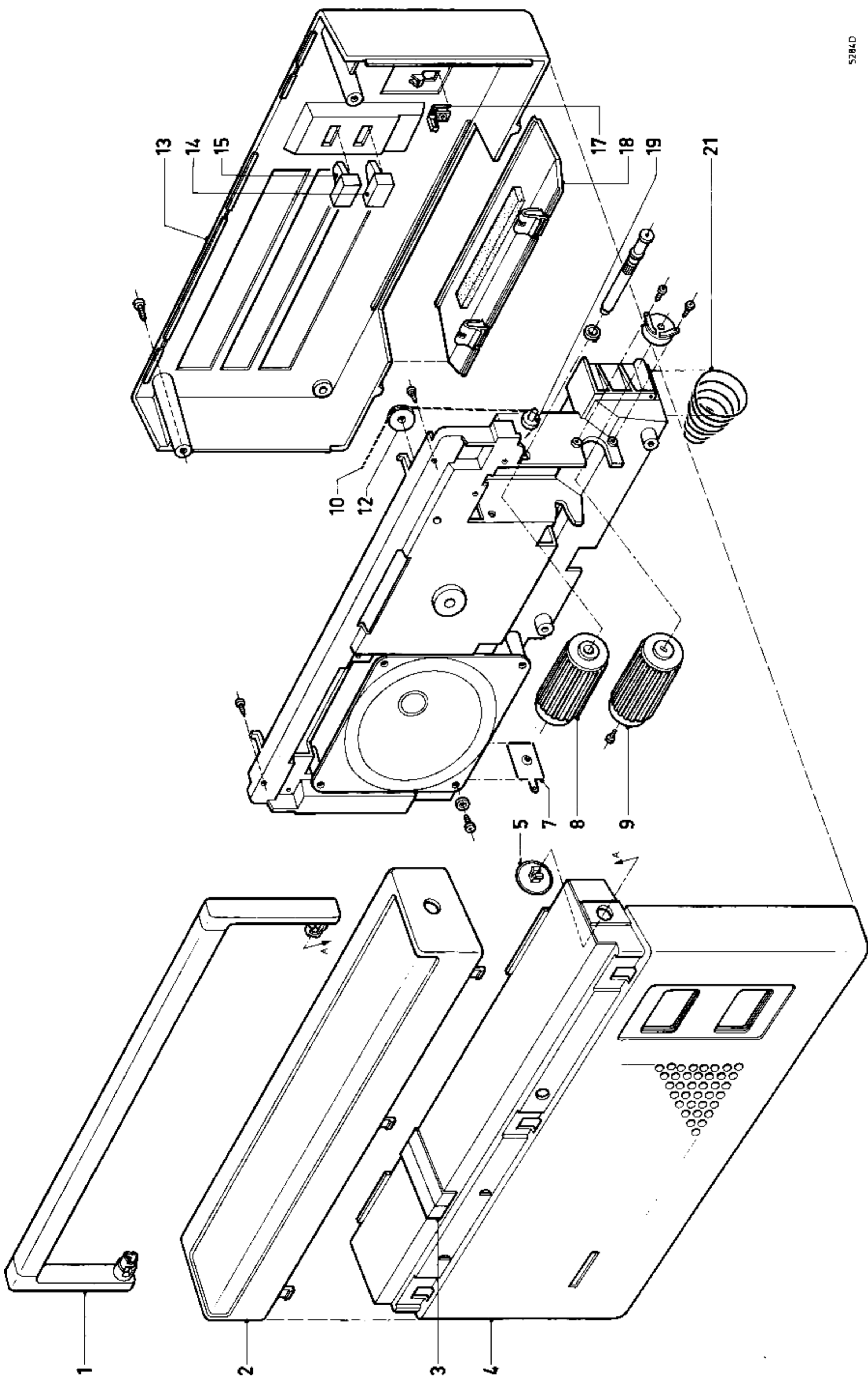


Wave range SK...	 Signal to	 Tuning	 Detune	 Adjust	 Indication	
MW (520-1605 kHz)	<b>1</b> via 39 nF	<b>A</b>	Min. Cap.	S4,S5,S6	S4,S5,S6	<b>1</b> max.
MW (520-1605 kHz)	512 kHz	<b>B</b>	Max. Cap.		S3	<b>1</b> max.
	1635 kHz		Min. Cap.		CTb	
	600 kHz		 Tune in		S1	
	1400 kHz		CTa			
LW (150-255 kHz)	147 kHz	<b>B</b>	Max. Cap.		C5	<b>1</b> max.
			 Tune in		S2	
Repeat - Herhalen - Répéter - Wiederholen - Repitance						
<b>1</b> Align. AM IF for -/00/28 = 452 kHz - /15: = 468 kHz - /22: = 460 kHz						








5271A





1	4822 498 40364	5	4822 462 70659	12	4822 528 80599	18	4822 423 40386
2/00/15	4822 454 10414	7	4822 290 80259	13	4822 422 40126	19	4822 528 80533
2/28	4822 454 10415	8	4822 413 40638	14	4822 277 20179	21	4822 492 51098
3	4822 450 80416	9	4822 413 40639	15	4822 277 20142		
4	4822 423 50237	10	4822 321 30214	17	4822 267 30252		

<p><b>-TS-</b> </p>	<p><b>-S-</b> </p>
<p>TS1 BF494 5322 130 44195  TS2,3 BC548B 4822 130 41009  TS4 BC548C 4822 130 41011  TS5 BC558B 5322 130 44197  TS6,7 AC187/188 pair 5322 130 40347</p>	<p>S1 Ferricaptor assy 4822 158 60336  S3 Osc. coil red 4822 156 30531  S4,5 A.M. I.F.T. yellow 4822 156 30527  S6 A.M. I.F.T. black 4822 156 30528  S7 Loudspeaker 4822 240 30098</p>
<p><b>-D-</b> </p>	<p><b>-R-</b> <b>-C-</b>  </p>
<p>D1 AA119 5322 130 40229  D2,3 BA100 5322 130 30226</p>	<p>R21 Vol. control 4822 101 50195  VC1 Varco 4822 125 20171  C2 Cer.Cap. 110 pF - 5 % 4822 121 50453  C5 Trimmer 22 pF 4822 125 50045</p>